

Wiring issues

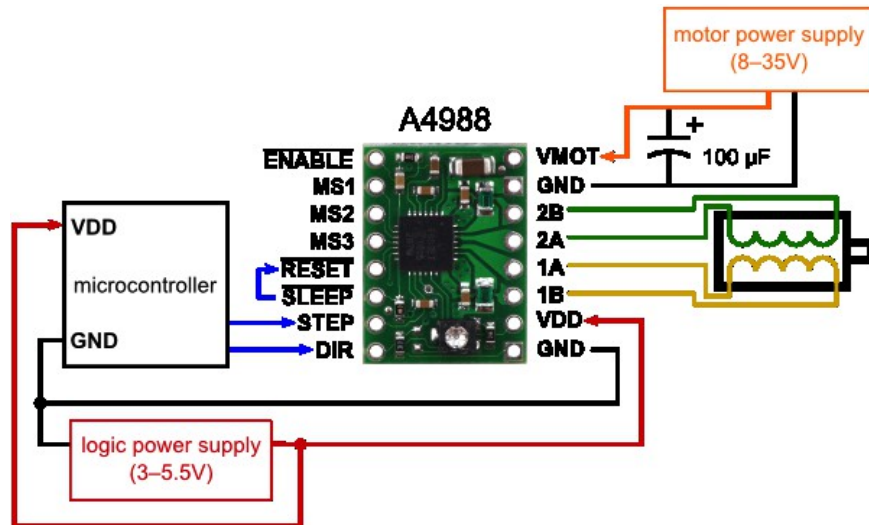
1) 1A,1B, 2A, 2B vs A+,A-,B+,B-

Take care that the wiring of that stepper motor is not the same as the one on Ramps board.

On the motor side the color of the lead wires are :
- Red(A+), Yellow(B+), Grey(A-) and Green(B-)

On the stepper driver side we got B-, B+, A+ and A- but the marking on A4988 Driver can make you confused. See the following: From the lower 1B, 1A, 2A and 2B.

Note :1B and 1A is one phase(one coil) and 2A and 2B is the other phase(one coil).



<http://www.pololu.com/catalog/product/1182>

To solve this using this stepper motor and the pololu/ramps board , **you need to exchange the Yellow(the 2nd) and Grey(the 3rd)** on the motor side or the other side of the lead wire (Plug to Stepper Driver).

Use your smallest screw driver (00 is fine) to push delicatly on the contact and pull the wire to extract the contact.

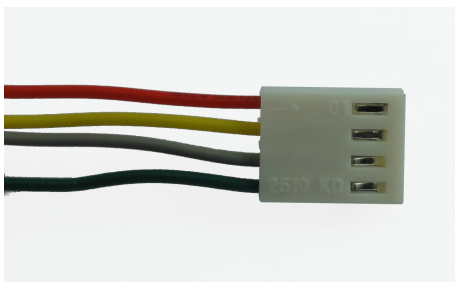
2) Step driver connector type

On the step driver side, the motor is delivered with a Molex connector. It is compatible with 2.54mm pin header of ramps board.

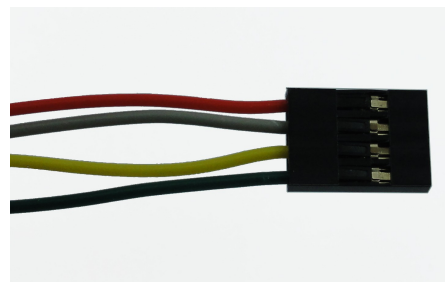
However the connector is too large for the Z axis where we need two of them side by side.

For that a set of female crimping contacts and 4 positions housing socket is provided.

The crimping can be done with a standard plier, but it's strongly recommended to use a crimping tools.



Original connector



4 positions housing socket